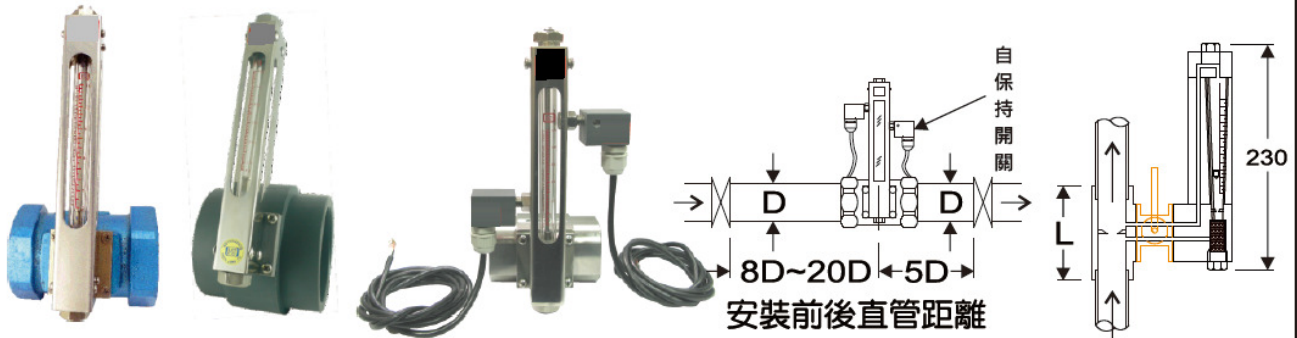


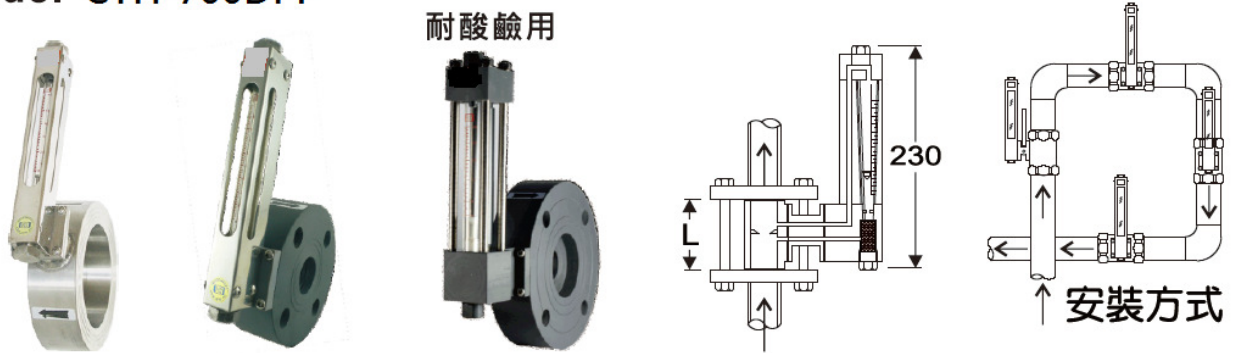
差壓面積式流量計

DIFFERENTIAL TYPE AND AN AREA TYPE FLOW METER

Model CYH-700DPP



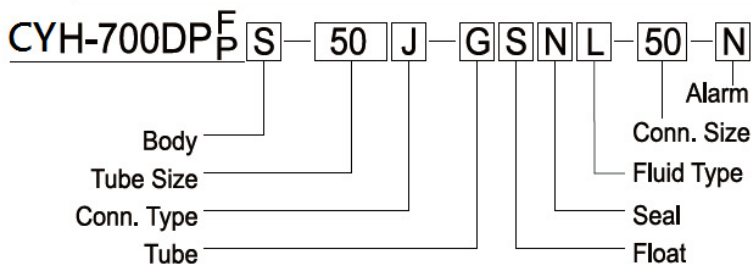
Model CYH-700DPF



ORDERING INFORMATION

Body Material	Connection Type	Tube Material	Float Material	Seal Material	Tube Size	Normal Standard Range		L (mm)	
						WATER M3/HR	AIR NM3/HR	DPP	DPF
S SS304	J JIS 10K	G GLASS	S SS304	N NEOPRENE	15	0.2-1	2-10	80	50
W SS316	A ANSI 150LB	P PC	W SS316	V VITON	20	0.5-3	4-25	80	50
V P.V.C	P PT		V P.V.C		25	0.7-5	6-40	100	50
P P.P	N NPT		P P.P		32	1-8	10-60	100	50
D P.V.D.F	O OTHER		D P.V.D.F		40	2-10	15-100	120	50
I CS			C C.P.V.C		50	4-20	30-200	120	50
C C.P.V.C			T TEFLON		65	6-40	50-300	120	50
					80	7-50	70-400	120	50
					100	15-100	150-800	160	50
					125	30-150	250-1200		50
					150	40-200	300-1800		50
					200	50-300	600-3000		50
					250	80-500	800-3000		50
					300	150-800	800-5000		50

Fluid Type	Connection Size			Alarm Switch
	10	40	125	
L LIQUID	3/8"	1 1/2"	5"	N NONE
A AIR	1/2"	2"	6"	H HI
	3/4"	2 1/2"	8"	L LO
	1"	3"	10"	A HI LO
	1 1/4"	4"	12"	



SPECIFICATIONS

Max. Temperature	60-100°C
Max. Pressure	6-10 kg/cm ² G
Accuracy	± 3% F.S