



Level Measurement Radar 26GHz RD-2400

Level measurement under certain pressure
temperature limit and easy process condition

GENERAL

The extremely narrow microwave pulse emitted by the antenna on radar level instrument can travel at the speed of light and part of its energy, which is reflected off the surface of target medium, is received by the very same antenna. The time lapse between pulse emission and reception by the antenna is proportional to the distance between the surface of target medium and the reference point on antenna. However, due to the fact that the electromagnetic wave is transmitted at extremely high speed, which leads to the tiny time lapse (nanosecond level) and makes it difficult to be identified, RD series of radar level instrument have adopted a special demodulation technology, enabling itself to detect the time lapse between pulse emission and reception correctly, and eventually generate accurate measurement result.

SPECIFICATION

- Measurement Range : 0-70m
- Measurement Accuracy : 15 mm
- Process Temperature : -40~150 C°/-40~200 C°/
-60~250 C°/-60~400 C°
- Process Pressure : -1.0~40 bar
- Signal Output : 4-20mA(DC24V)/HART[®](2-Wire)
4-20mA(22.8~26.4VDC)/HART(4-Wire)
4-20mA(198~242VAC)/HART(4-Wire)
- Effective Beam Angle : Horn Ø 48mm-18°, Horn Ø 78mm-10°
Horn, Ø 98mm-8°, Horn Ø 123mm-6°, Horn Ø 198mm-4°, Horn Ø 260mm-4°
- Antenna Material : Stainless Steel 316L/PTFE
Stainless Steel 316L-(Extension)/PTFE
Stainless Steel 316L-(Extension)/PTFE-(Dustproof)
Polypropylene/PTFE-(Dustproof)
Polypropylene-(Extension)/PTFE-(Dustproof)
- Housing/Protection : Plastic/IP66
Aluminium/IP67
Aluminium(two Chamber)/IP67
Stainless steel 316L/IP67
- Process Connection : Threaded Version G1-1/2A, 1-1/2NPT,
Flange DN50, DN80, DN100, DN125 and Special Specification
- Approval : Standard(without Approval)
Intrinsically Safe(Exia IIC T6)
Intrinsically Safe+Ship Approval(Exia IIC T6)
Intrinsically Safe+Flameproof Approval(Exia IIC T6)



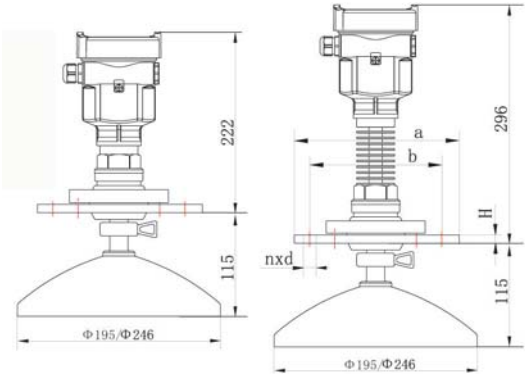
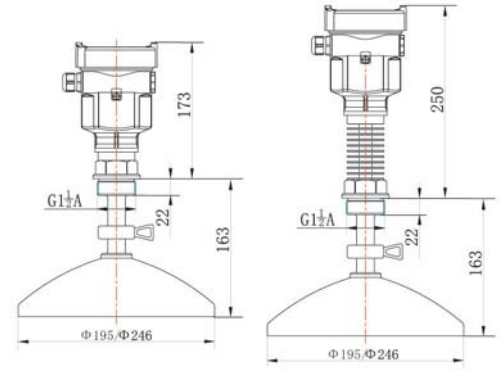
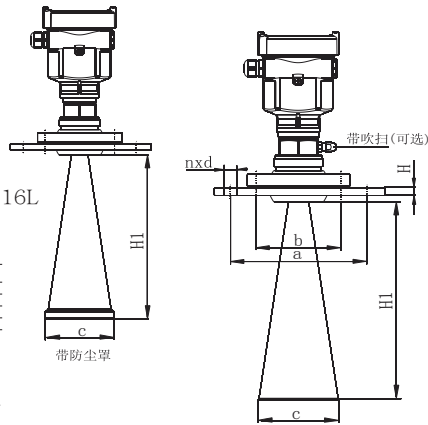
Dimensional Specifications

A/B/D Type:Housing

Material :PBT/Aluminium/316L

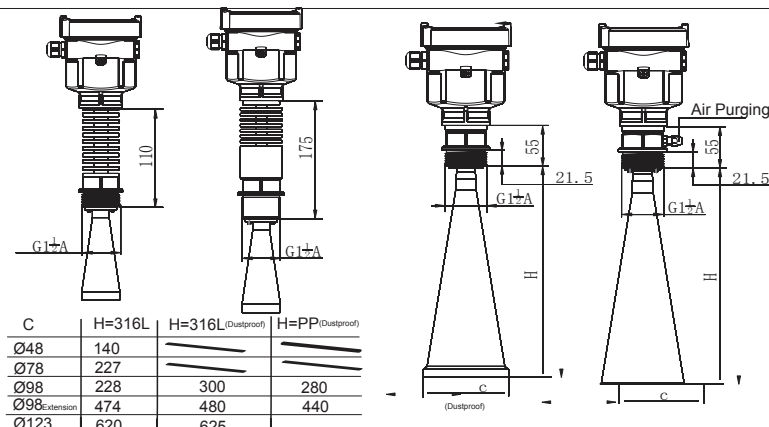
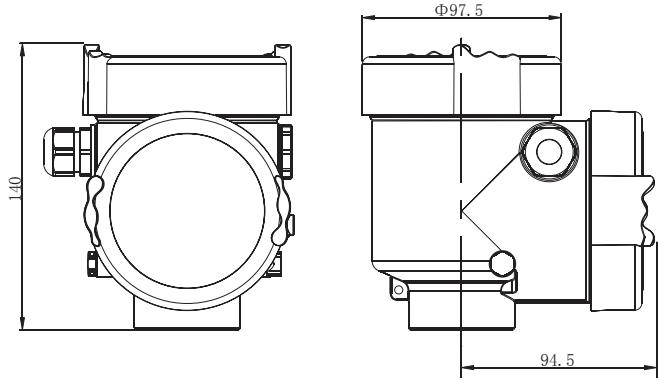
c	H1(316L)	H1(316L带罩)	H1(PP带罩)
Φ48	140	-	-
Φ78	227	-	-
Φ98	228	300	280
Φ98(加长)	474	480	440
Φ123	620	625	-

	a	b	H	d
DN 100/4"	220mm	180mm	11.5mm	8xΦ18mm
DN 125/5"	250mm	210mm	11.5mm	8xΦ18mm

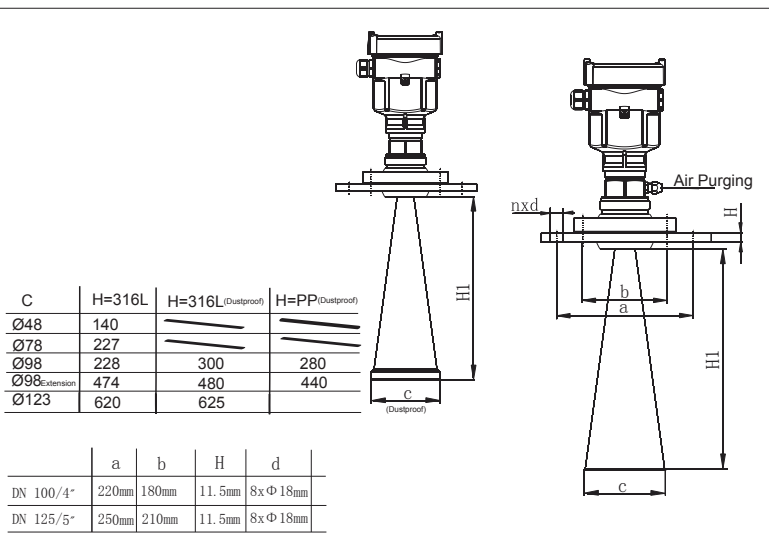


	a	b	H	d
DN 100/4"	220mm	180mm	11.5mm	8xΦ18mm
DN 200/8"	340mm	295mm	11.5mm	12xΦ22mm
DN 250/10"	405mm	355mm	11.5mm	12xΦ26mm

C Type:Aluminium(two chamber)



C	H=316L	H=316L(Dustproof)	H=PP(Dustproof)
Ø48	140	///	///
Ø78	227	///	///
Ø98	228	300	280
Ø98 _{extension}	474	480	440
Ø123	620	625	///



C	H=316L	H=316L(Dustproof)	H=PP(Dustproof)
Ø48	140	///	///
Ø78	227	///	///
Ø98	228	300	280
Ø98 _{extension}	474	480	440
Ø123	620	625	///

	a	b	H	d
DN 100/4"	220mm	180mm	11.5mm	8xΦ18mm
DN 125/5"	250mm	210mm	11.5mm	8xΦ18mm



Level Measurement Radar 26GHz RD-2400

MODEL SELECTION GUIDE

RD-2400-X-X-XX-XX-X-X-X-X-X

Explosion Proof Approval

- P Standard(without Approval)
- I Intrinsically Safe(Exia IIC T6)
- C Intrinsically Safe+Ship Approval(Exia IIC T6)
- G Intrinsically Safe+Flameproof Approval(Exd ia IIC T6)

Shape of Antenna/Material

- B (T Type) Horn Ø 48mm/Stainless Steel 316L
- C (T Type) Horn Ø 78mm/Stainless Steel 316L
- H (T Type) Horn Ø 98mm/Stainless Steel 316L
- I (T Type) Horn Ø 98mm(Extension)/Stainless Steel 316L
- J (T Type) Horn Ø 123mm/Stainless Steel 316L
- K (S Type) Horn Ø 98mm/Polypropylene/PTFE-(Dustproof)
- L (S Type) Horn Ø 98mm(Extension)/Polypropylene/PTFE-(Dustproof)
- M (V Type) Horn Ø 98mm/Stainless Steel 316L/PTFE-(Dustproof)
- N (V Type) Horn Ø 98mm(Extension)/Stainless Steel 316L/PTFE-(Dustproof)
- P (V Type) Horn Ø 123mm/Stainless Steel 316L/PTFE-(Dustproof)
- Q (W Type) Parabola antenna horn Ø198 mm/Stainless Steel 316L
- R (W Type) Parabola antenna horn Ø246mm/Stainless Steel 316L
- X Special Specification

Process Connection

- GP (H)Thread G1-1/2 A / Stainless Steel 316
- GA (H)Thread 1-1/2 NPT/ Stainless Steel 316
- GB (G)Thread G1-1/2 A / PP
- GC (J)Thread G1-1/2 A / Stainless Steel 316/(-60~250C°)
- GD (K)Thread G1-1/2 A / Stainless Steel 316(-60~250C°)Process 40MPa
- GE (I)Thread G1-1/2 A / Stainless Steel 316(Air Purging Connection)
- GX Special Specification

Flange Optional/Materials

specifications	Materials				
	cod	PP(L)	PTFE(L)	SUS316(M)	Universal Joint PP (M)
DN50/ANSI(OPT)	FA	FB	FC	—	—
DN80/ANSI(OPT)	GA	GB	GC	—	—
DN100/ANSI(OPT)	HA	HB	HC	HD	HE
DN125/ANSI(OPT)	IA	IB	IC	ID	IE

FO NO

FX Special Specification

Seal/Process Temperature

- 2 Viton/(-60~200C°)
- 3 Kalrez(-60~250C°)
- 4 Graphite (-60~400C°)

Electronic

- B 4-20mA/HART 2-Wire
- C 4-20mA/(22.8~26.4)V DC/HART 4-Wire
- D 4-20mA/(198~242)V DC/HART 4-Wire

Housing/General Safety Level/Antenna Safety Level

- A Aluminium/IP67
- B Plastic(PBT)/IP66
- D Aluminium(two chamber)/IP67
- G Stainless steel 316L/IP67

Cable Entry

- M M20x1.5
- N 1/2NPT

Display/Programming

- A YES
- X NO

RADAR LEVEL MONITOR