



Level Measurement Radar 26GHz RD-2200

Level measurement under certain pressure
temperature limit and easy process condition

GENERAL

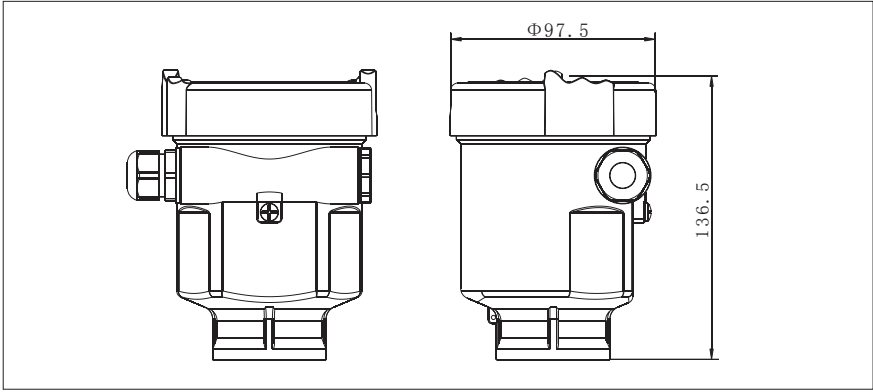
The extremely narrow microwave pulse emitted by the antenna on radar level instrument can travel at the speed of light and part of its energy, which is reflected off the surface of target medium, is received by the very same antenna. The time lapse between pulse emission and reception by the antenna is proportional to the distance between the surface of target medium and the reference point on antenna. However, due to the fact that the electromagnetic wave is transmitted at extremely high speed, which leads to the tiny time lapse (nanosecond level) and makes it difficult to be identified, RD series of radar level instrument have adopted a special demodulation technology, enabling itself to detect the time lapse between pulse emission and reception correctly, and eventually generate accurate measurement result.



SPECIFICATION

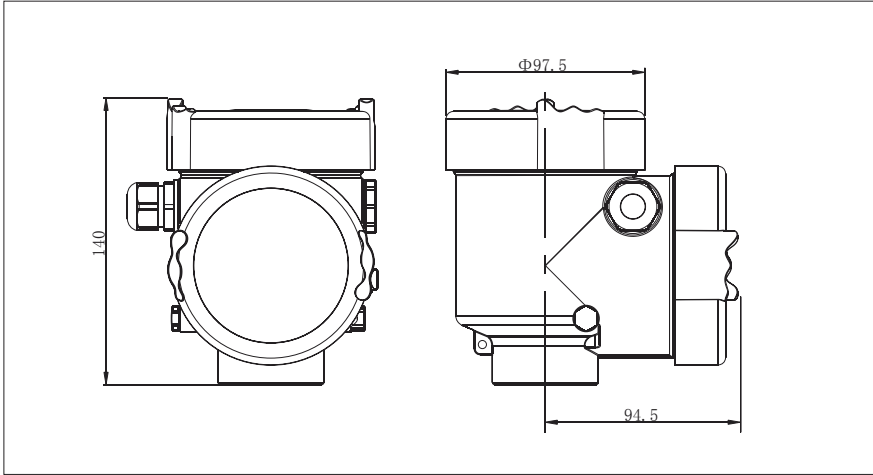
- Measurement Range : 0-30m
- Measurement Accuracy : 3 mm
- Process Temperature : -40~150 C°/-40~200 C°/-60~250 C°/-60~400 C°
- Frequency Range : 26GHz (K Band)
- Process Pressure : -1.0~40 bar
- Signal Output : 4-20mA(DC24V)/HART[®](2-Wire)
 - 4-20mA(22.8~26.4VDC)/HART(4-Wire)
 - 4-20mA(90~260VAC)/HART(4-Wire)
- Effective Beam Angle : Horn Ø 48mm-18°, Horn Ø 78mm-10°
 - Horn, Ø 98mm-8°, Horn Ø 123mm-6°
- Display : LCD Adjustment Module
- Antenna Material : Stainless Steel 316L/PTFE
 - Stainless Steel 316L-(Extension)/PTFE
 - Stainless Steel 316L-(Extension)/PTFE-(Dustproof)
 - Polypropylene/PTFE-(Dustproof)
 - Polypropylene-(Extension)/PTFE-(Dustproof)
- Housing/Protection : Plastic(PBT)/IP66
 - Aluminium/IP67
 - Aluminium(two Chamber)/IP67
 - Stainless steel 316L/IP67
- Process Connection : Threaded Version G1-1/2A, 1-1/2NPT,
 - Flange DN50, DN80, DN100, DN125 and Special Specification
- Approval : Standard(without Approval)
 - Intrinsically Safe(Exia IIC T6)
 - Intrinsically Safe+Ship Approval(Exia IIC T6)
 - Intrinsically Safe+Flameproof Approval(Exia IIC T6)

Dimensional Specifications



A/B/D Type:Housing

Material :PBT/Aluminium/316L



C Type:Aluminium(two chamber)

c	H-316L	H-316L(Dustproof)	H-PP(Dustproof)
$\Phi 48$	140	—	—
$\Phi 78$	227	—	—
$\Phi 98$	288	300	280
$\Phi 98$ Extension	474	480	440
$\Phi 123$	620	625	—



Level Measurement Radar 26GHz RD-2200

MODEL SELECTION GUIDE

RD-2200-X-X-XX-XX-X-X-X-X-X

Explosion Proof Approval

- P Standard(without Approval)
- I Intrinsically Safe(Exia IIC T6)
- C Intrinsically Safe+Ship Approval(Exia IIC T6)
- G Intrinsically Safe+Flameproof Approval(Exd ia IIC T6)

Shape of Antenna/Material

- B (T Type) Horn Ø 48mm/Stainless Steel 316L
- C (T Type) Horn Ø 78mm/Stainless Steel 316L
- H (T Type) Horn Ø 98mm/Stainless Steel 316L
- I (T Type) Horn Ø 98mm(Extension)/Stainless Steel 316L
- J (T Type) Horn Ø 123mm/Stainless Steel 316L
- K (S Type) Horn Ø 98mm/Polypropylene/PTFE-(Dustproof)
- L (S Type) Horn Ø 98mm(Extension)/Polypropylene/PTFE-(Dustproof)
- M (V Type) Horn Ø 98mm/Stainless Steel 316L/PTFE-(Dustproof)
- N (V Type) Horn Ø 98mm(Extension)/Stainless Steel 316L/PTFE-(Dustproof)
- P (V Type) Horn Ø 123mm/Stainless Steel 316L/PTFE-(Dustproof)
- X Special Specification

Process Connection

- GP (H)Thread G1-1/2 A / Stainless Steel 316
- GA (H)Thread 1-1/2 NPT/ Stainless Steel 316
- GB (G)Thread G1-1/2 A / PP
- GC (J)Thread G1-1/2 A / Stainless Steel 316/(-60~250C°)
- GD (K)Thread G1-1/2 A / Stainless Steel 316(-60~250C°)Process 40MPa
- GE (I)Thread G1-1/2 A / Stainless Steel 316(Air Purging Connection)
- GX Special Specification

Flange Optional/Materials

specifications	Materials	PP(L)	PTFE(L)	Stainless Steel 316(M)
	cod			
DN50		FA	FB	FC
DN80		GA	GB	GC
DN100		HA	HB	HC
DN125		IA	IB	IC

FO NO

FX Special Specification

Seal/Process Temperature

- 2 Viton/(-60~200C°)
- 3 Kalrez(-60~250C°)
- 4 Graphite(-60~250C°)

Electronic

- B 4-20mA/HART 2-Wire
- C 4-20mA/(22.8~26.4)V DC/HART 4-Wire
- D 4-20mA/(198~242)V DC/HART 4-Wire

Housing/General Safety Level/Antenna Safety Level

- A Aluminium/IP67
- B Plastic(PBT)/IP66
- C Aluminium(two chamber)/IP67
- D Stainless steel 316L/IP67

Cable Entry

- M M20x1.5
- N 1/2NPT

Display/Programming

- A YES
- X NO

RADAR LEVEL MONITOR