

MULTIPARAMETERS CONTROLLER

Multiple digital controller system for managing up to 5 channels that can be programmed to control: pH - ORP - Chlorine (Free, Total and Combined) - Turbidity - Temperature (on all models, regardless of the configuration) - Conductivity - Ozone.

All information are provided through a widescreen LCD display (240x64). MAX5 is controlled by an "ENCODER".

Working mode can be set:

- on / off
- pulse proportional
- PWM
- PID

Instruments connected in a network (up to 31 instruments) can be remotely controlled.

Combined with probes and probe holders, they can be assembled on panels to have a complete turnkey control system.



5 PROGRAMMABLE CHANNELS

5 channels can be programmed to control: pH - ORP - Chlorine (Free, Total and Combined) - Turbidity - Temperature (on all models, regardless of the configuration) - Conductivity - Ozone.

Each channel can be programmed on user requirement.

REMOTE CONTROL

Remote control is available with ETHERNET or GSM/ GPRS configurations.

Remote control via: www.ermes-server.com.

SOFTWARE

English, French and Jewish software available.

CUSTOMIZATION

Instruments can be customized with client logo on frontal panel.

STAND-BY INPUT

FLOW CONTROL INPUT

WATER METER INPUT

Water meter input for water restore and totalizer for instant flow rate when connected to a meter.

TEMPERATURE PROBE INPUT

PT100 temperature probe input.

LEVEL INPUT

5 level tank input renamable

TIMER

5 timer for flocculant/algicide dosing renamable

SETPOINT

6 setpoints relais output (on/off, PID or PWM) renamable

OUTPUT

6 impulsive proportional output renamable

PROBE CLEANING OUTPUT

PERMANENT DATA STORAGE (WITHOUT BATTERY)

System log on display.

LOG MENU

LOG menu for enable/disable log on output.

AUTOMATIC TEMPERATURE COMPENSATION

With PT100 temperature probe.

DELAY

Programmable delay at dosing start-up (up to 60 minutes).

ALARMS

Alarms for: damaged probes - max dosage - 2 overflow alarms per channel - 5 product level alarms - flow in the probe holder.

DISPLAY

Probe readings, alarms notification, network status (Ethernet; USB, GSM/GPRS) are shown on display.

PROBE READOUT MENU

6 mA OUTPUT

As option.

MODBUS

Modbus is a serial communication protocol for connecting instruments to other devices on RS485 network.

ALARM RELAIS

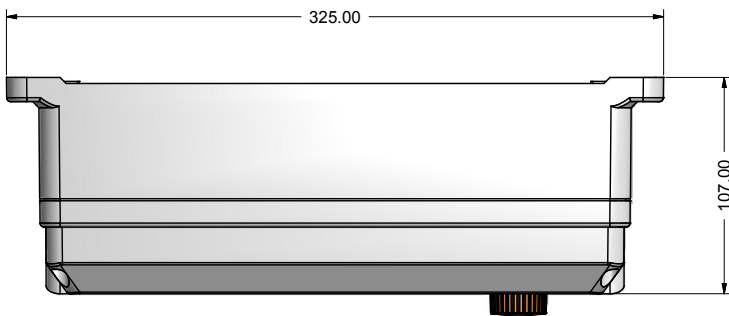
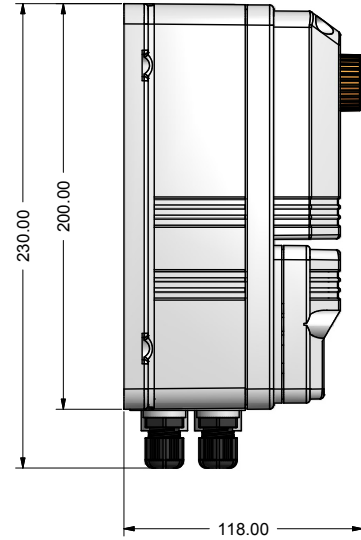
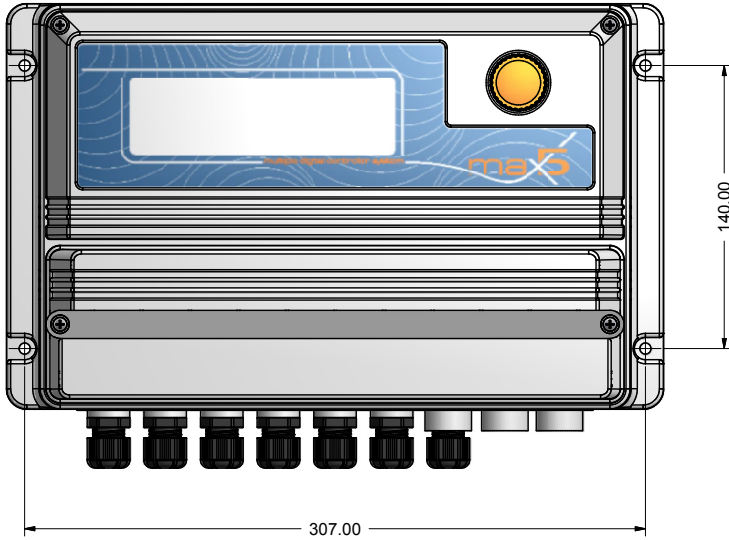
230 VAC output alarm.

AUTOMATIC OR MANUAL DOSING ACTIVITY

MULTIPLE PROBE READINGS CAN BE VIEWED

MULTIPARAMETERS CONTROLLER

DIMENSIONS (mm)



MULTIPARAMETERS CONTROLLER

MAX5

MAX5	
MEASURING PARAMETER	Up to 5 channels that can be programmed to control: pH, Redox (ORP), Chlorine (total, free and combined), Chlorine Dioxide, Hydrogen Peroxyde, Ozone, Peracetic acid, Turbidity, Conductivity, Dissolved oxygen. Temperature (on all models, regardless of the configuration).
RANGE	pH : 0-14 pH ORP: 0-1000 mV Chlorine: 0-200 mg/l Turbidity: 0-9.999 NTU Temperatura: 0-200 °C Conductivity: 0-300,0 mS Ozone: 0-1,000 or 0-10,0 mg/l O ₃
TEMPERATURE COMPENSATION	PT100
INPUT SIGNAL	BNC connector for: pH, ORP. PCB for: Chlorine, Chlorine Dioxide, Hydrogen Peroxyde, Ozone, Peracetic acid, Turbidity, Conductivity, Dissolved oxygen.
POWER SUPPLY	85-264 VAC; 50/60 Hz
AVERAGE CONSUMPTION	12 W
ON/OFF OUTPUT	6 relays; 3.15A @ 230 VAC (fuse protected)
ALARM OUTPUT	85-264VAC alarm output
INPUT	Stand-by 5 level tank input renamable 5 probes Temperature probe Water meter input for water restore Flow
OUTPUT	5 timer (230 VAC or proportional output) 6 proportional impulsive 6 Proportional on/off (fuse protected) Probe cleaning 5 mA output as option ¹ General alarm
ENVIRONMENT TEMPERATURE	-10°C ... 50°C (14°F ... 122°F) / 0-95% (non condensing) relative humidity
PROTECTION	IP65 - % working UR: 85% with ≤40 °C; 70% at 50 °C (non condensing)
POLLUTION LEVEL	2
ENCLOSURE	ABS
TEST/CERTIFICATION	CE
DIMENSIONS	refer to the drawing
WEIGHT	2.5 kg (5.51 lbs)
INSTALLATION	vertical wall (4 fixing holes)
OPTIONS ²	<ul style="list-style-type: none"> • 6 mA output • 9-30 VDC power supply • ADVANCED USB configuration ² • ETHERNET configuration ² • GSM/GPRS configuration ² • MODBUS configuration ²

¹ On request² For configuration features refer to the table at the end of the document.

MULTIPARAMETERS CONTROLLER

CONFIGURATIONS

INSTRUMENT Configuration	PLUS	WHEN	REQUIREMENTS	FUNCTION
BASIC (standard)	/	For local control only	/	RS485 output to link other EMEC instruments or a PC
ADVANCED USB	USB output	You do not need a PC on your plant: you can download data log on a USB device	/	RS485 output to link other EMEC instruments or a PC Data Log on USB device
ETHERNET	LAN network between instrument and web	Remote control via WEB ERMES	LAN wiring (RJ-45)	RS485 output to link other EMEC instruments or a PC Web ERMES remote control (PC, smartphone or tablet) Alarm messages via email
GSM/GPRS	GPRS modem between instrument and web	Remote control via WEB ERMES	Network coverage	RS485 output to link other EMEC instruments or a PC Web ERMES remote control (PC, smartphone or tablet) Alarm messages via email Alarm messages via SMS
MODBUS	Connection to other devices (PLC) via RS485	PLC plant management	/	PLC connection output for reading and modifying parameters