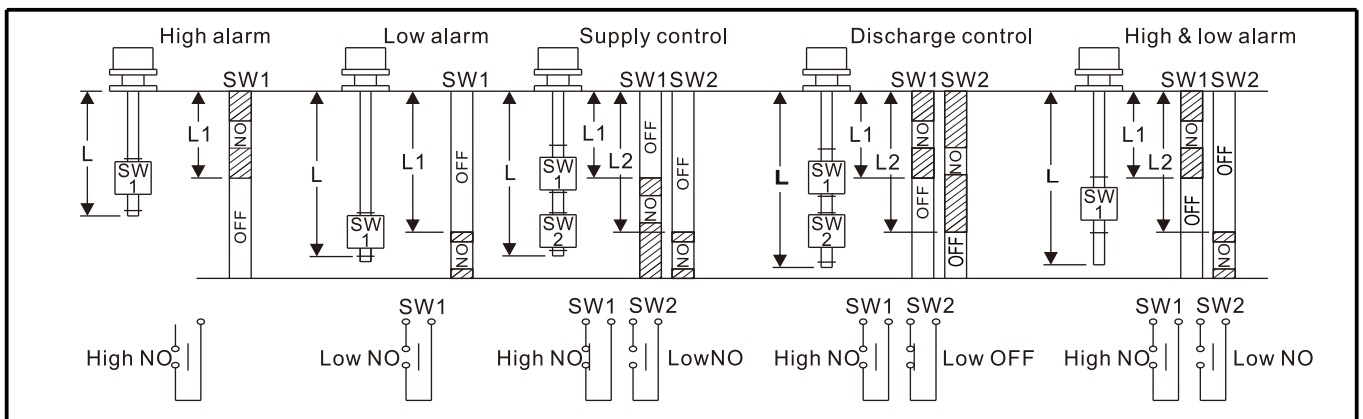
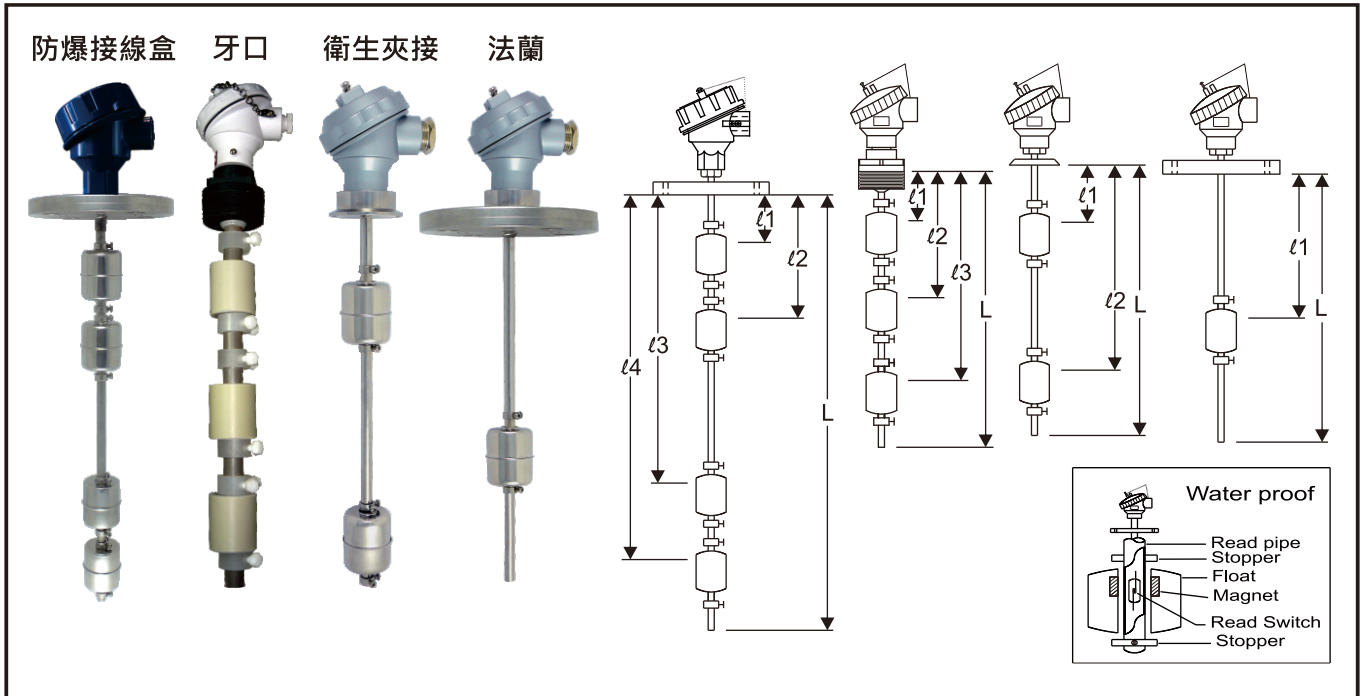


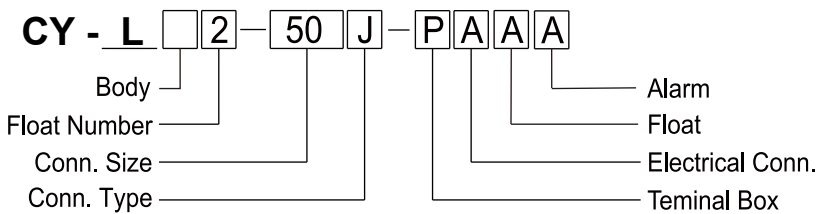
# Model CY - L series 連桿式浮球開關

## CY-L series



### ORDERING INFORMATION

### SPECIFICATIONS



<b>Body material</b>	SUS ; PVDF ; PP ; PVC
<b>Temperature</b>	50 °C ~100 °C
<b>Pressure</b>	5 ~ 10kg/cm <sup>2</sup>
<b>Float material</b>	PP ; PVDF ; SS316
<b>Connection</b>	Flange ; Thread ; Tri-Clamp
<b>Connection Size</b>	1 1/2" ~ 4"
<b>Output</b>	Alarm (NO;NC;1A1B)

Body Material	Float Number	Connection Size	Connection Type	Terminal Box	Electrical Connection	Float Material	Alarm Type
P PP	1	40 1 1/2"	A ANSI 150LB	P PP	A 1/2"PT	A PP(∅43mmx50L)	G 316(∅46mmx56L) A NO
S SS304	2	50 2"	J JIS 10K	S SS304	B 3/4"PT	B PP(∅56mmx63L)	H 316(∅51mmx42L) B NC
W SS316	3	65 2 1/2"	P PT	W SS316	C 1/2"NPT	C PVDF(∅60mmx53L)	I PP(∅65mmx77L) C 1A1B
V PVC	4	80 3"	N NPT	A ALUMINUM	D 3/4"NPT	D 316(∅26mmx24L)	J 316(∅75mmx 89L)
D P.V.D.F	5	100 4"	C 衛生夾接	D ALU. D2G4		E 316(∅28mmx29L)	K 316(∅75mmx 73L)
C C.P.V.C		Other		E 316 D2G4		F 316(∅41mmx53L)	