



Level Measurement Radar 26GHz RD-2300

Level measurement under certain pressure
temperature limit and easy process condition

GENERAL

The extremely narrow microwave pulse emitted by the antenna on radar level instrument can travel at the speed of light and part of its energy, which is reflected off the surface of target medium, is received by the very same antenna. The time lapse between pulse emission and reception by the antenna is proportional to the distance between the surface of target medium and the reference point on antenna. However, due to the fact that the electromagnetic wave is transmitted at extremely high speed, which leads to the tiny time lapse (nanosecond level) and makes it difficult to be identified, RD series of radar level instrument have adopted a special demodulation technology, enabling itself to detect the time lapse between pulse emission and reception correctly, and eventually generate accurate measurement result.

SPECIFICATION

Measurement Range : 0-20m

Measurement Accuracy : 3 mm

Process Temperature : -40~150 C°, -40~200C°, -40~250C°

Process Pressure : -1.0~16 bar

Signal Output : 4-20mA(DC24V)/HART(2-Wire)

4-20mA(22.8~26.4VDC)/HART(4-Wire)

4-20mA(198~242VAC)/HART(4-Wire)

Effective Beam Angle : DN50-18°, DN80-12°, DN100-10°

Antenna Material : Stainless Steel 316L/PTFE

Housing/Protection : Plastic/IP66

Aluminium/IP67

Aluminium(two Chamber)/IP67

Stainless steel 316L/IP67

Process Connection : Flange DN50, DN80, DN100 and Special Specification

Approval : Standard(without Approval)

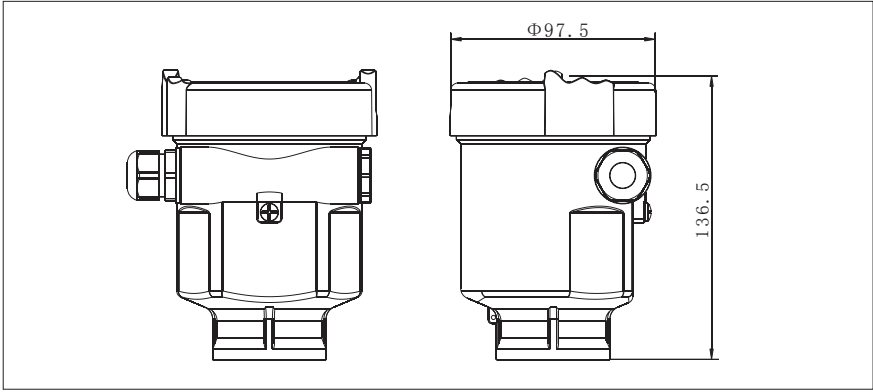
Intrinsically Safe(Exia IIC T6)

Intrinsically Safe+Ship Approval(Exia IIC T6)

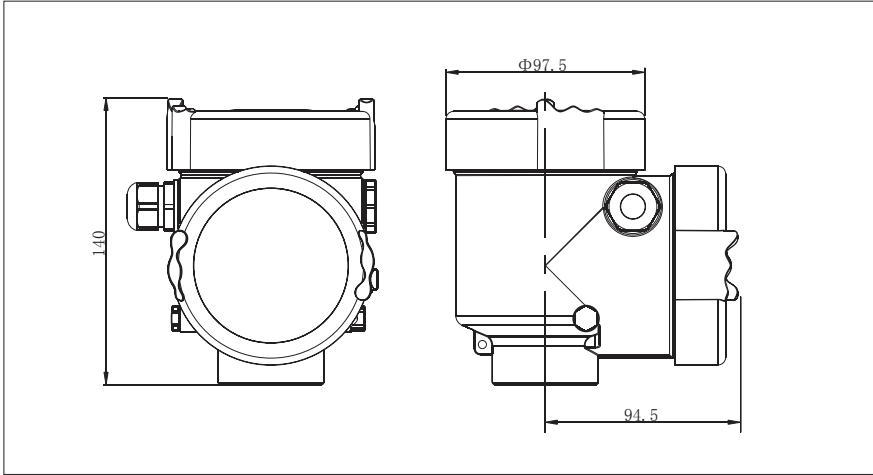
Intrinsically Safe+Flameproof Approval(Exia IIC T6)



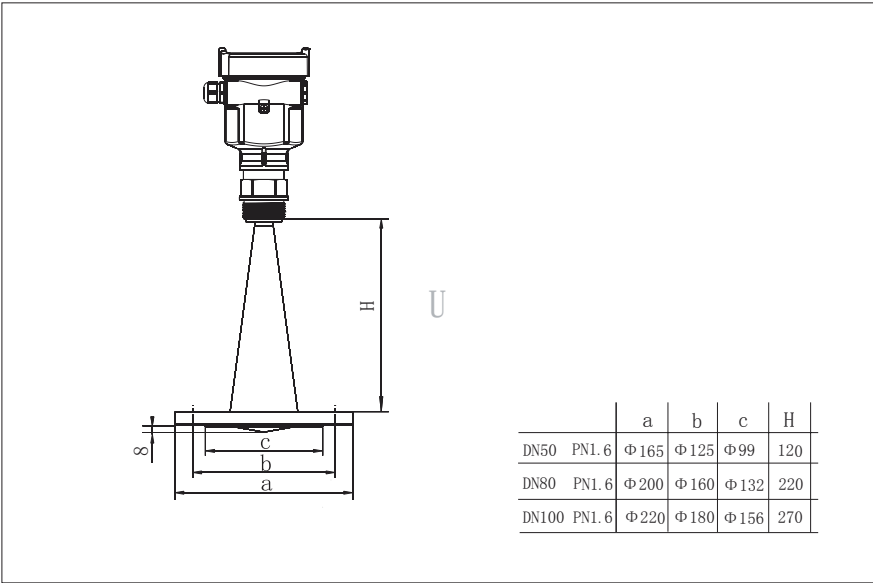
Dimensional Specifications



A/B/D Type:Housing
Material :PBT/Aluminium/316L



C Type:Aluminium (two chamber)



Flange Version



Level Measurement Radar 26GHz
RD-2300

RD-2300-X-X-X-X-X-X

Explosion Proof Approval

- P Standard(without Approval)
- I Intrinsically Safe(Exia IIC T6)
- C Intrinsically Safe+Ship Approval(Exia IIC T6)
- G Intrinsically Safe+Flameproof Approval(Exd ia IIC T6)

Shape of Antenna/Material

- B (U Type) Stainless Steel 316L/PTFE/DN50
- C (U Type) Stainless Steel 316L/PTFE/DN80
- D (U Type) Stainless Steel 316L/PTFE/DN100
- X Special Specification

Electronic

- B 4-20mA/HART 2-Wire
- C 4-20mA/(22.8~26.4)V DC/HART 4-Wire
- D 4-20mA/(198~242)V DC/HART 4-Wire

Housing/General Safety Level/Antenna Safety Level

- A Aluminium/IP67
- B Plastic(PBT)/IP66
- D Aluminium(two chamber)/IP67
- G Stainless steel 316L/IP67

Cable Entry

- M M20x1.5
- N 1/2NPT

Display/Programming

- A YES
- X NO