



Level Measurement Radar 26GHz RD-2500

Level measurement under certain pressure
temperature limit and easy process condition

GENERAL

The extremely narrow microwave pulse emitted by the antenna on radar level instrument can travel at the speed of light and part of its energy, which is reflected off the surface of target medium, is received by the very same antenna. The time lapse between pulse emission and reception by the antenna is proportional to the distance between the surface of target medium and the reference point on antenna. However, due to the fact that the electromagnetic wave is transmitted at extremely high speed, which leads to the tiny time lapse (nanosecond level) and makes it difficult to be identified, RD series of radar level instrument have adopted a special demodulation technology, enabling itself to detect the time lapse between pulse emission and reception correctly, and eventually generate accurate measurement result.

SPECIFICATION

Measurement Range : 0-15m

Measurement Accuracy : 10 mm

Process Temperature : -40~80 C°, -40~150C°

Process Pressure : -1.0~1 bar

Signal Output : 4-20mA(DC24V)/HART[™](2-Wire)
4-20mA(22.8~26.4VDC)/HART(4-Wire)
4-20mA(198~242VAC)/HART(4-Wire)

Effective Beam Angle : 8°

Antenna Material : PP/PTFE(Dustproof)
PP(Extension)PTFE(Dustproof)

Housing/Protection : Plastic/IP66
Aluminium/IP67
Aluminium(two Chamber)/IP67
Stainless steel 316L/IP67

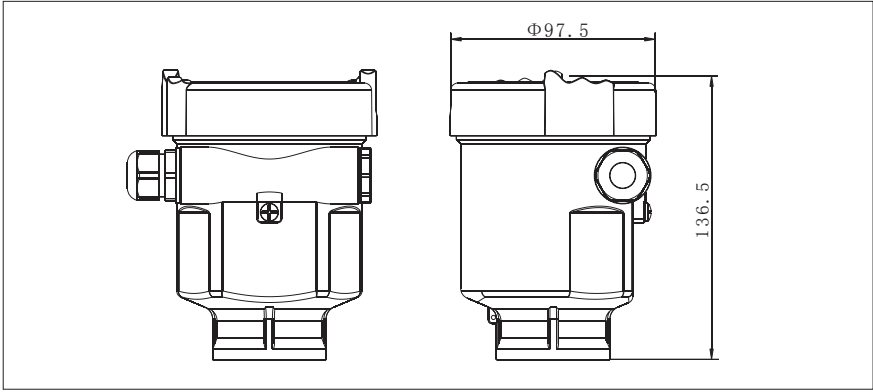
Process Connection : Flange DN100, Flange DN100(Universal Joint)
and Special Specification

Approval : Standard(without Approval)
Intrinsically Safe(Exia IIC T6)
Intrinsically Safe+Ship Approval(Exia IIC T6)

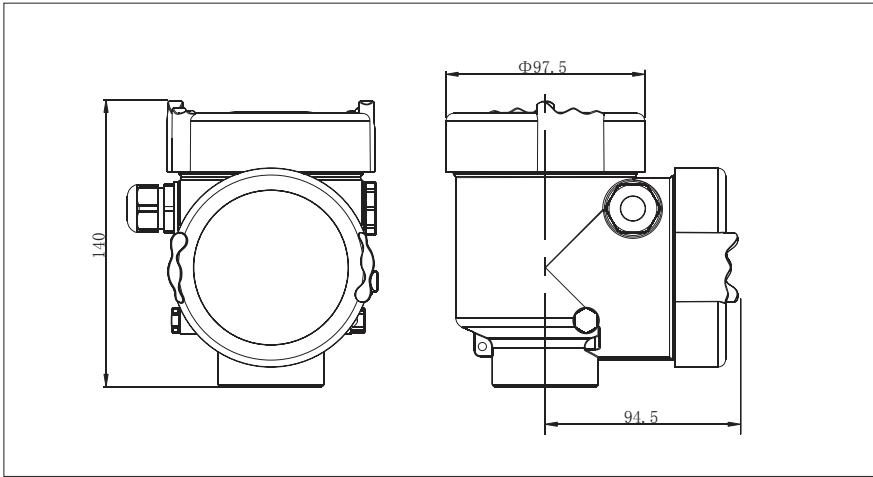


RAJDAR LEVEL MONITOR

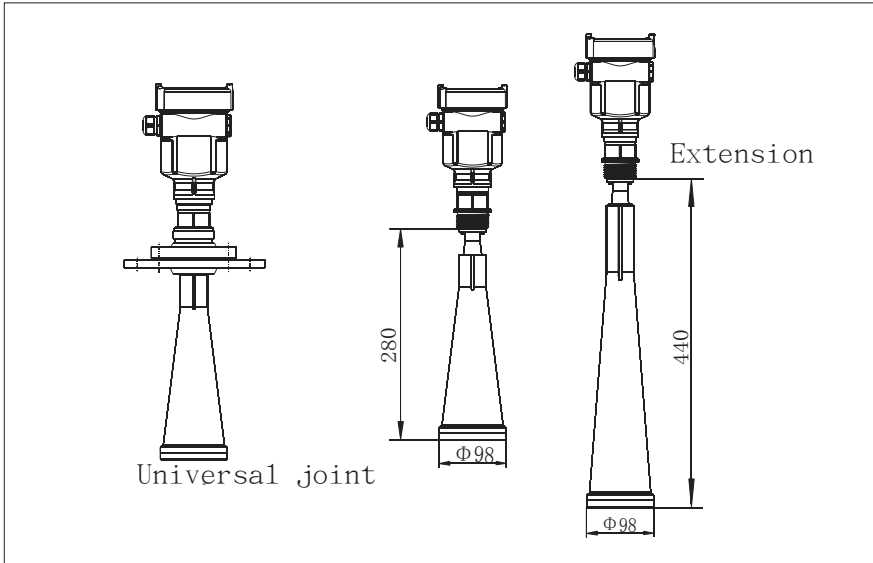
Dimensional Specifications



A/B/D Type:Housing
Material :PBT/Aluminium/316L



C Type:Aluminium (two chamber)



Version



Level Measurement Radar 26GHz RD-2500

MODEL SELECTION GUIDE

RD-2500-X-X-X-X-X-X

Explosion Proof Approval

- P Standard(without Approval)
- I Intrinsically Safe(Exia IIC T6)
- C Intrinsically Safe+Ship Approval(Exia IIC T6)

Shape of Antenna/Material

- K (S Type) HornØ98mm-PP/(PTFE-Dustproof)
- L (S Type) HornØ98mm-PP(Extension)/(PTFE-Dustproof)

Process Connection

- CB (G Type)Thread G1-1/2 A / PP
- HA (L Type)Flang DN100 /PP
- HD (N Type)Universal Joint /Flang DN100//PP
- YP Special Specification

Electronic

- B 4-20mA/HART 2-Wire
- C 4-20mA/(22.8~26.4)V DC/HART 4-Wire
- D 4-20mA/(198~242)V DC/HART 4-Wire

Housing/General Safety Level/Antenna Safety Level

- A Aluminium/IP67
- B Plastic(PBT)/IP66
- D Aluminium(two chamber)/IP67

Cable Entry

- M M20x1.5
- N 1/2NPT

Display/Programming

- A YES
- X NO